



## Door Handing

You must specify the handing of your door for L1000 Series locks. The lock is handed at the factory and is not field reversible. To determine the handing of your door, look at the door in its closed position from the exterior (pushbutton side), and use the corresponding diagram below when specifying the handing of Unican locks and corresponding replacement parts.



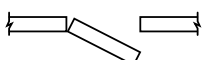
Right Hand Doors, R



Right Hand Reverse Bevel, R



Left Hand Doors, L



Left Hand Reverse Bevel, L

## Application

The L1000 Series lock provides fully mechanical pushbutton access control with no electrical wiring, electronics, or batteries. Exterior access is by combination. Egress is by interior lever and is free at all times. The lock meets Americans with Disabilities Act (ADA) standards.

L1000 Series locksets are ideal for limiting access to high-traffic, security-sensitive areas in commercial, institutional, residential, and industrial buildings. These locks are perfect for locations with a high personnel turnover rate such as data processing centers, employee entrances, R&D labs, apartments, dormitories, and restricted areas in hospitals and airports.

The pushbutton design eliminates problems associated with the issue, control, and collection of keys and magnetic cards. The combination can be quickly and easily changed to ensure continued maximum security once employees, tenants, or guests leave, saving the cost of new keys, key cylinders, magnetic cards, and card-encoding devices.

## Features

**One-hand operation:** Depress the buttons in the correct sequence to unlock the dead-locking latch.

**Thousands of possible combinations:** Authorized individuals can change the combination in seconds. One or all five buttons can be used in the combination with two or more buttons depressed simultaneously.

**Easy to install on wood or metal doors:** The lock retrofits cylindrical and tubular locksets with a 2<sup>3</sup>/<sub>4</sub>" (70 mm) backset. An inside trim plate adds to the ease of installation and aesthetic appeal.

**Rugged & weather resistant:** The lock is wear-tested for intensive use.

**Includes:** Standard strikes. installation instructions. full-scale template, combination change access key.

## Optional Features

**Key override:** Can be used to override the lock combination and gain access using a key. This feature allows facilities to initiate or maintain a master-keyed security system (keyed alike or keyed differently). The lock accepts removable core cylinders (not supplied except with "XB" models)

**Passage:** Allows access without using the lock entry code, keeping the door unlocked even while closed. This feature is activated from the inside with a thumbturn or key (included with all passage feature models).

**Lockout (privacy):** Disables the lock from the inside so that entry codes cannot be used to gain access. Access is permitted using the key override only. This feature is activated from the inside with a key (included with privacy feature model).

## Specifications

**Construction:** Heavy-duty cylindrical lock housing; conforms to ANSI 156.2 Grade 1; cast front housing; brass unified trim plate; fixed cast or wrought ADA-compliant levers

**Strike:** T strike plate; ASA strike plate; DB strike box

**Backset:** 2<sup>3</sup>/<sub>4</sub>" (70 mm) backset

**Door thickness:** 1<sup>3</sup>/<sub>8</sub>" (35 mm) to 2<sup>1</sup>/<sub>4</sub>" (57 mm)

**Installation:** ASA 161 door preparation with additional through bore holes required: (1) 1" diameter for combination change, (2) 1/4" for mounting, and (1) 1" diameter for optional passage feature.

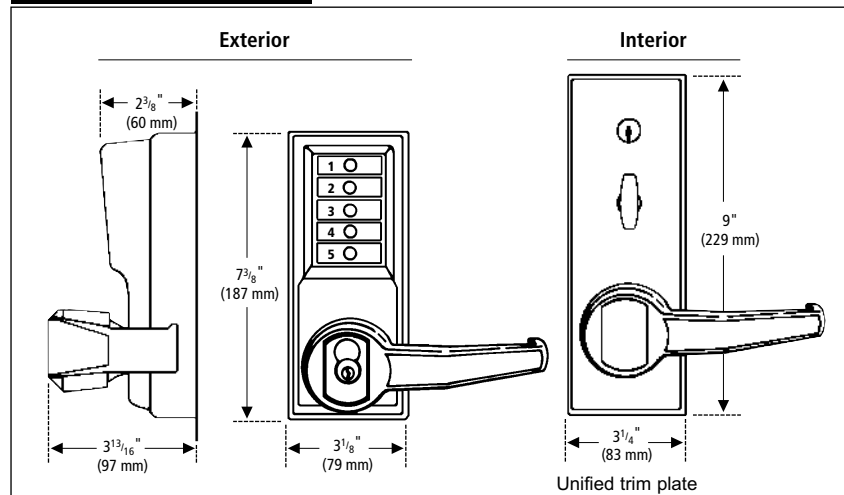
**Door handing:** Factory-handed; not field reversible

**Control:** DF59 keys for combination change; DF5 keys for passage feature

**Finishes:** 03 (605) "Chiara" Bright Brass; 05 (609) Antique Brass; 026 (625) Bright Chrome; 26D (626) Satin Chrome

**Weight:** 8.25 lb. (3.7 kg)

## Dimensions

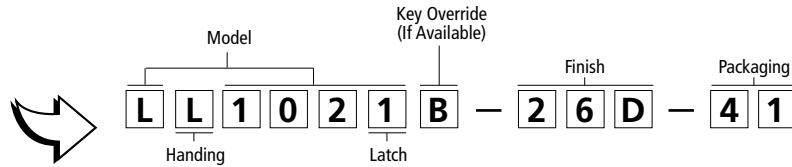


**Ordering Information**

**Example**

Left hand Model L1021 with 5/8" (16 mm) floating front throw latch, Best & Compatibles key override, Satin Chrome finish, packaged 1 per box

Build the part number with the features you require:



Model	Description	Key override feature	Passage feature	Lockout feature
L1011	L1000 Series cylindrical lockset			
L1021	L1000 Series cylindrical lockset	•		
L1031	L1000 Series cylindrical lockset		•	
L1041	L1000 Series cylindrical lockset	•	•	
L1076	L1000 Series cylindrical lockset; 3/4" (19 mm) throw latch only	•		•

Latch	Description
1	5/8" (16 mm) floating front throw latch; UL/ULC 3-hour fire rating
2	1/2" (13 mm) floating front throw latch; UL/ULC 3-hour fire rating
5	3/4" (19 mm) beveled front throw latch; UL/ULC 3-hour fire rating
6	3/4" (19 mm) beveled front throw latch; UL/ULC 3-hour fire rating for L1076 only.

Handing	Description
L	Left hand; left hand reverse bevel
R	Right hand; right hand reverse bevel

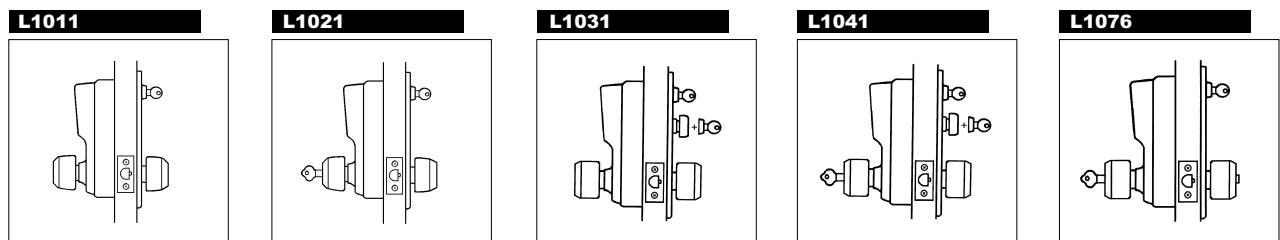
Key override*	Description
A	ASSA
B	Best & Compatibles (6 or 7 pin length)
C	Corbin / Russwin
M	Medeco** / Yale (6 pin length only)
R	Sargent
S	Schlage
XB	Best & Compatibles (core included)

\* Accepts removable core cylinders (not supplied).  
 \*\* 5-pin Medeco cylinder requires a special knob spacer. Request spacer when ordering, part number 201569 (supplied free of charge).

Finish	Description
03	"Chiara" Bright Brass (605)
05	Antique Brass (609)
026	Bright Chrome (625)*
26D	Satin Chrome (626)

\* Available for models L1011 and L1021 only.

Packaging	Description
41	1 per box



## 3000 Series



### Application

The 3000 Series lock provides fully mechanical pushbutton access control for narrow stile aluminum glass doors, with no electrical wiring, electronics, or batteries. Exterior access is by combination or key override. Egress is by Adams Rite hardware and is free at all times.

The 3000 Series lock is designed for use with Adams Rite 4510/4710 latch mechanisms and most Adams Rite egress hardware. Any standard MS mortise cylinder that operates the Adams Rite latch will function with a 3000 Series lock. Key cylinders, cylinder trim rings, mortise latches, and egress hardware are not provided.

3000 Series locks are ideal for limiting access to high traffic, security sensitive areas in commercial, institutional, government and industrial buildings. These locks are perfect for locations with a high personnel turnover rate such as data processing centers, employee entrances, R&D labs, apartments, dormitories and restricted areas in hospitals and airports.

The pushbutton design eliminates problems associated with the issue, control, and collection of keys and magnetic cards. The combination can be quickly and easily changed to ensure continued security once employees, tenants, or guests leave, saving the cost of new keys, cylinders, magnetic cards and card-encoding devices. The combination is changed without removing the lock from the door.

### Features

#### Operation:

Depress the buttons in the correct sequence and rotate the thumbturn to retract the latch.

#### Thousands of possible combinations:

Authorized individuals can change the combination in seconds. One or all five buttons can be used in the combination with two or more buttons depressed simultaneously.

#### Slim-line visual shield:

Restricts observation of user codes while remaining attractive on narrow-stile doors.

### Rugged & weather resistant:

The lock is wear-tested for intensive use.

### Key override:

Can be used to override the lock combination and gain access using a key. This feature allows facilities to initiate or maintain a master-keyed security system (keyed alike or keyed differently). The lock accepts MS mortise cylinders, not supplied.

### Passage (latch holdback):

Allows access without using the lock entry code, keeping the door unlocked. This feature is activated from the outside with a key.

**Lockout:** Disables the lock so that entry codes cannot be used to gain access. Access is permitted using the key override only. This feature is activated from the outside using the override key.

**Includes:** Installation instructions, full-scale template, combination change wrench and tool.

### Optional Features

#### Cylinder guard (model 3002):

Prevents wrenching of cylinder from housing.

### Specifications

**Construction:** All metal; cast front housing; force-proof clutch-protected fixed thumbturn

**Stile Width:** 1<sup>7</sup>/<sub>8</sub>" (48 mm) minimum required for mounting

**Stile Thickness:** 1<sup>3</sup>/<sub>4</sub>" (44 mm) maximum

**Backset:** 3<sup>1</sup>/<sub>2</sub>" (25 mm) or 1<sup>1</sup>/<sub>8</sub>" (29 mm)

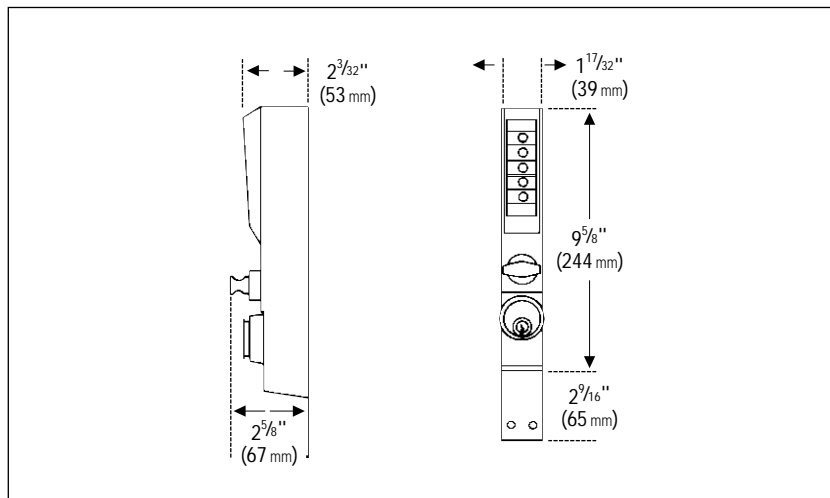
**Handing:** Factory-handed (drive assembly); not field reversible

**Control:** Includes key and screwdriver for combination change

**Finishes:** 26D (626) Satin Chrome; 55 (695) Duranodic

**Weight:** 4 lbs. (1.8 kg)

### Dimensions



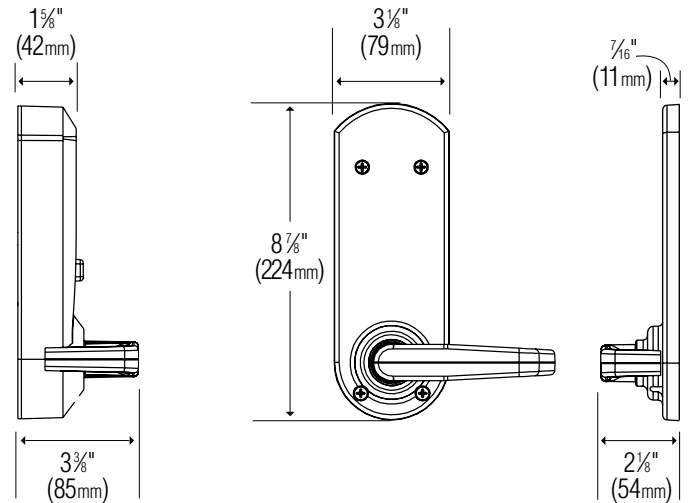
## Extra Heavy-Duty Primary Locks

SIMPLEX® 5000



Exterior

Interior



### Application

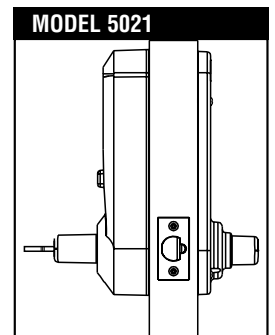
The Simplex 5000 lock provides fully mechanical pushbutton access control without any wiring, electronics or batteries. Exterior access is by combination. Egress is by interior lever and is free at all times. Lock is ADA (Americans with Disabilities Act) compliant.

The Simplex 5000 is ideal for controlling access to high-traffic, security-sensitive areas in commercial, industrial, educational, governmental, lodging, and multi-unit residential settings. Perfect for locations with a high user turnover rate such as data processing centers, employee entrances, R&D labs, apartments, dormitories, and restricted areas in hospitals and airports.

### Features

- Mechanical pushbutton strength and reliability.
- Keyless convenience.  
Eliminates problems and costs associated with issuing, controlling, and collecting keys and magnetic cards.
- Combination can be quickly and easily changed to ensure continued maximum security once employees, tenants, or guests leave.  
Thousands of possible combinations.

- Easy to install: Installs easily on wood or metal doors. No electrical wiring or computers required for programming. Fully contained front and rear housing assemblies install in minutes.
- Non-handed: One lock for both left- and right-hand door applications.
- Easy to maintain: No batteries, and fewer parts to maintain during life of lock.
- User friendly: One-hand operation. Short lever travel distance with an ergonomically correct design. Latch retracts when lever is turned in either direction.
- Mechanical key override: Used to override the lock combination and gain access using a key. Permits facilities to initiate or maintain their master-keyed security system.
- Direct drive: Eliminates potential breakage in critical internal links.
- Rugged and weather-resistant: Lock is wear tested for intensive use.
- Two-year warranty.



## Specifications

### Construction

Extra heavy-duty cylindrical lock housing; solid cast housings; solid cast zinc levers, stainless steel cylindrical drive components

### Certifications

ANSI/BHMA A 156.2, Grade 1 Certified

### Compliance

Three-hour U.L./U.L.C. Fire Door Rating  
ADA (Americans with Disabilities Act)

### Key Override

Conventional key-in-lever cylinder with Kaba Ilco 15395 cylinder included. Schlage C keyway, keyed different. Tailpieces included for compatibility with the following cylinders:

Abloy 5277	Abloy 5477	Arrow C 100
ASSA 65611	ASSA 65691	Australian
Corbin Russwin 2000-03	Kaba Ilco 1599	Kaba Ilco 15395
Marks	Medeco 20W200H1	Sargent 10 Line
Schlage 23-001	Schlage Primus 20-760	

### Strike

ASA strike plate

### Backset

2 3/4" (70mm)

### Door Thickness

1 3/8" (35mm) to 2 1/4" (57mm). Preassembled to accommodate doors 1 1/2" to 2" (41 to 51mm).

### Installation

Easily installs on wood or metal doors. ASA 161 door preparation with two (2) additional through bore holes. Retrofits cylindrical and tubular locksets with a 2 3/4" (70mm) backset.

### Door handing

Non-handed lock, preassembled for left-hand door installations—can be easily changed in the field.

### Items Supplied

Complete lock, latch, ASA strike, Installation Manual, template, Kaba Ilco 15395 cylinder, two nickel plated brass keys, five tailpieces, spare cylinder retainer, spare inside lever set screw, lever release combination change tool, hardware required for installation, and hardware required for thin and thick door installations.

### Weight

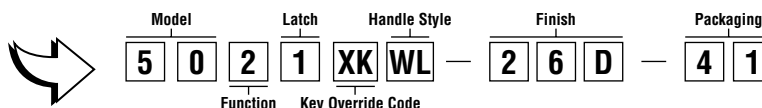
8.0 lb (3.65 Kg)

## Ordering Information

### Example

Model 50 Cylindrical Lock with 1/2" (13mm) floating front throw latch, Key-In-Lever Cylinder (included), Lever Handle, Satin Chrome Finish, packaged 1 per box.

Build the part number with the features you require:



Model	Function	Latch	Key Override	Handle Style	Finish	Packaging	Price
50	2	1	XK	WL	26D	41	\$425.00
		5					

#### Model

50 5000 Series Cylindrical Lock

#### Function

2 Entrance

#### Latch

1 1/2" (13mm) floating front throw latch  
5 3/4" (19mm) beveled front throw latch

#### Key Override

XK Key-In-Lever Cylinder, Cylinder Included

#### Handle Style

WL Lever

#### Finish

26D (626) Satin Chrome

#### Packaging

41 1 per box; 15 per case



Your Total Access Partner.

KWS 5000-02-R01-04/02

2941 Indiana Avenue • Winston-Salem, NC 27105 • Phone: (800) 849-8324 • (336) 725-1331 • Fax: (800) 346-9640 • (336) 725-3269

**Ordering Information**

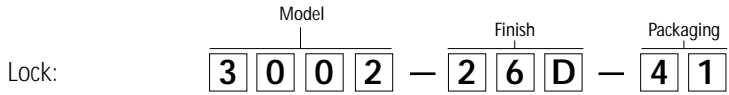
**Example**

Model 3002 with cylinder guard and Satin Chrome finish, packaged one per box; Left Hand drive assembly with 1 1/8" (29 mm) backset; packaged 1 per box.



**A complete installation requires both a housing and a drive assembly specific to the handing and backset of your door.**

Build the part number with the features you require:



Model	Description	Key override feature	Passage feature	Lockout feature
3001	3000 Series lock	•	•	•
3002	3000 Series lock with cylinder guard	•	•	•

\* Cylinder not included.

Finish	Description
26D	Satin Chrome (626)
55	Duranodic (695)

Packaging	Description
41	1 per box

**Drive Assemblies for 3001 and 3002 Locks**

Part Number	Backset	Handing
3010-19-41	3 1/32" (25 mm)	R, RR
3020-19-41	3 1/32" (25 mm)	L, LR
3030-19-41	1 1/8" (29mm)*	R, RR
3040-19-41	1 1/8" (29mm)*	L, LR

\* Can be used for a backset of 1 1/2" (38 mm).

**Door Handing**

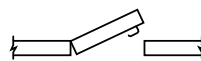
You must specify the handing of your door for 3000 Series locks. The lock is handed at the factory and is not field reversible. To determine the handing of your door, look at the door in its closed position from the exterior (pushbutton side), and use the corresponding diagram below when specifying the handing of Unican locks and corresponding replacement parts.



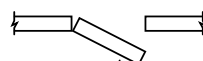
Right Hand Doors, R



Right Hand Reverse Door, RR



Left Hand Doors, L



Left Hand Reverse Door, LR

**Product Demonstration Mount**

74378-CH 3000 Series product demonstration mount

