

# ABLOY® DISKLOCK PRO PROFESSIONAL HIGH SECURITY CYLINDERS



The unique ABLOY® DISKLOCK PRO rotating detainer disc cylinder provides superior master-keying possibilities with vast number of combinations. It offers optimum resistance against physical attack and picking.

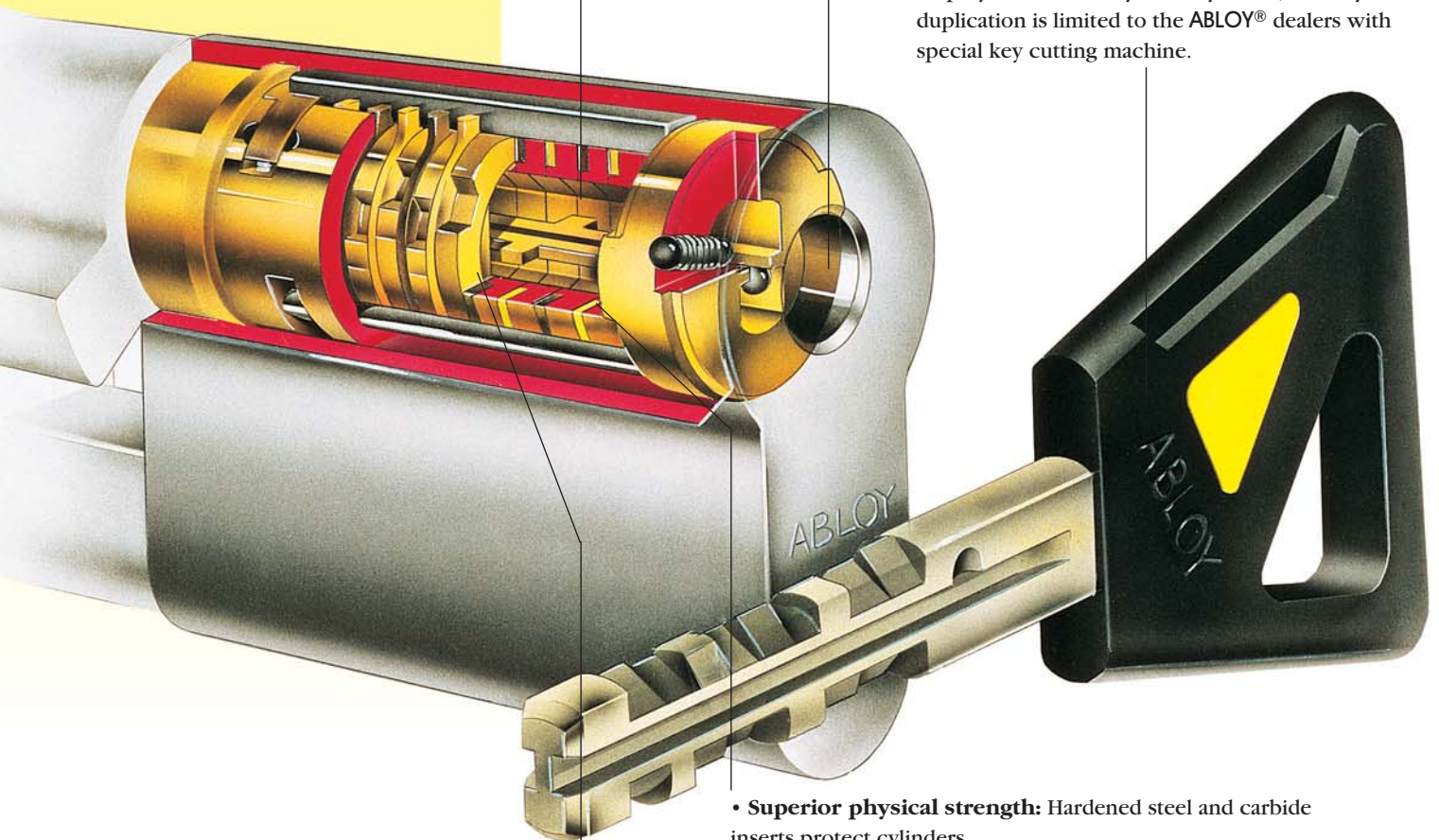
# ABLOY® DISKLOCK PRO

## UNIQUE FEATURES - BETTER THAN EVER

• **Smooth and reliable operation:** Discs are more durable and reliable because they resist fouling caused by dirt and corrosion, and there are no springs and pins.

• **Pick resistance:** The unique construction makes the ABLOY® DISKLOCK PRO virtually pickproof.

• **Strict key control:** ABLOY® DISKLOCK PRO employs restricted key security levels, and key duplication is limited to the ABLOY® dealers with special key cutting machine.



• **Superior physical strength:** Hardened steel and carbide inserts protect cylinders.

• **Master-keying:** With 1.97 billion possible combinations even the most complicated master keying system can be built.

# ABLOY® DISKLOCK PRO

## COMPREHENSIVE PRODUCT RANGE

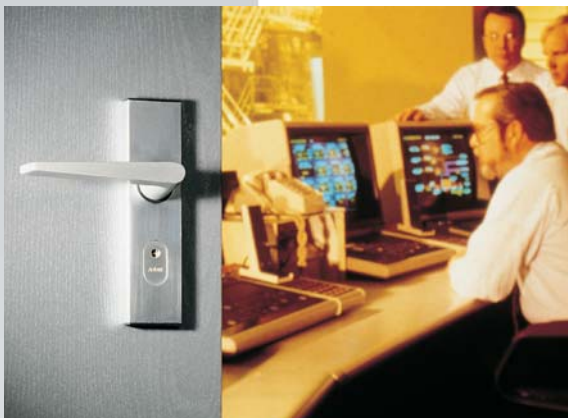
ABLOY® DISKLOCK PRO offers a full line of high security cylinders and all products may also be master keyed on the same system. Product range includes:



EUROPROFILE DIN CYLINDERS



ANSI STANDARD CYLINDERS



AUSTRALIAN AND UK OVAL CYLINDERS



SCANDINAVIAN CYLINDERS



FINNISH CYLINDERS



TUBULAR DEADBOLTS

ABLOY® design provides a vast number of possible combinations allowing the flexibility and expansion capabilities needed to satisfy the most complicated systems.

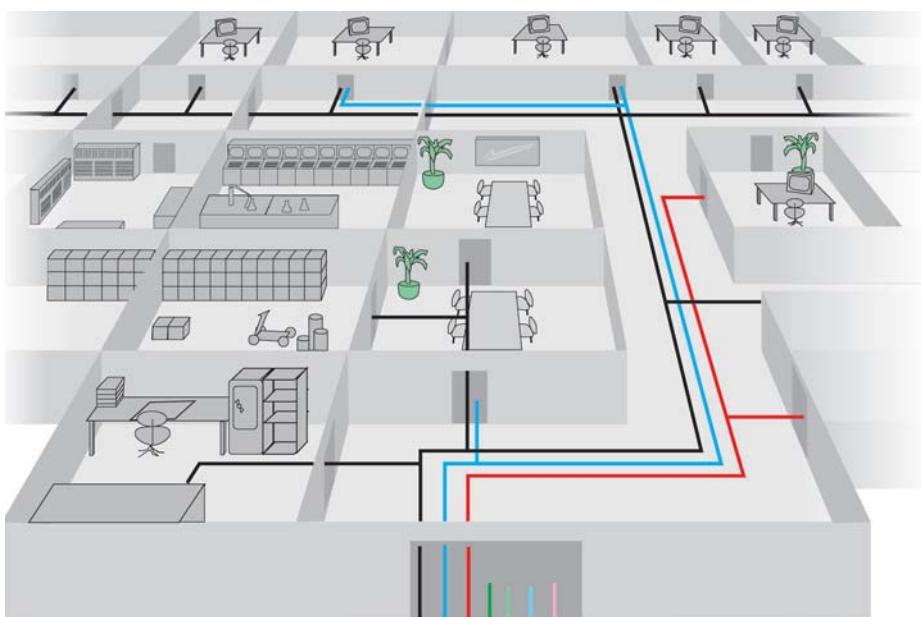
**Mechanical access control** can be achieved effectively and economically by master-keying. ABLOY® DISKLOCK PRO provides both security and convenience to the user.

The design of the cylinder allows all products to be master keyed on the same system. This means that one key can open **door locks, padlocks and even furniture or camlocks** if needed.

In an ABLOY® master-keying system the owner can grant access to those only authorized, reducing the number of keys to a minimum compared to conventional pin tumbler systems.

# ABLOY® DISKLOCK PRO

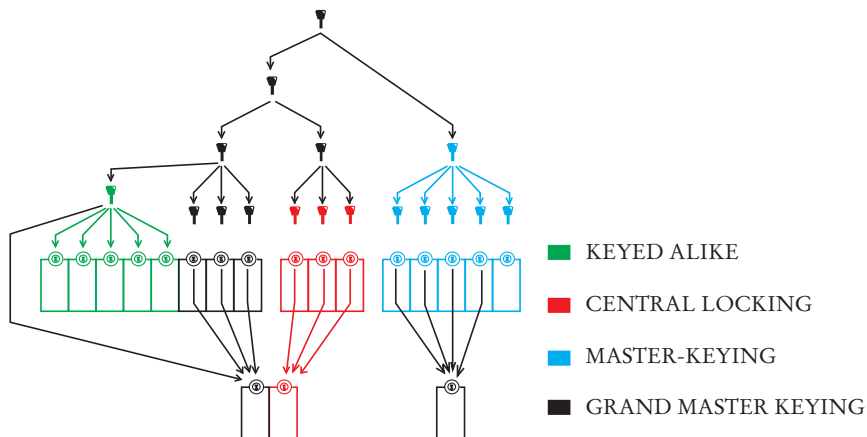
## EXTENSIVE MASTER-KEYING POSSIBILITIES



An ABLOY® locking system can be expanded to include thousands of doors and employees.

PERSONNEL	DOORS							
	FRONT DOOR	BACK DOOR	SHIPPING	RECEIVING	PRES. OFFICE	VICE PRES.	OFFICE 1	OFFICE 2
PRESIDENT	1	X	X	X	X	X	X	X
VICE PRESIDENT	2	X	X	X		X	X	X
OFFICE MGR	3	X	X		X		X	
ACCOUNTANT	4	X						
WAREHOUSE MGR	5			X	X			
PRODUCTION MGR	6				X			
SALES MGR	7	X		X	X			X
SECRETARY	8	X			X			

THE DIAGRAMS BELOW ILLUSTRATE TYPICAL KEYING AND MASTER-KEYING LEVELS:



# ABLOY® DISKLOCK PRO

## STRICT KEY CONTROL

ABLOY® DISKLOCK PRO offers various levels of key control to satisfy individual security requirements. ABLOY® DISKLOCK PRO key blanks are available only at authorized ABLOY® security centres further guaranteeing that only you can have extra keys made to your ABLOY® DISKLOCK PRO cylinder.

### CUSTOMER LEVEL

Where applications require, exclusive keyways are available. Duplication of keys can be controlled by the Abloy Oy factory or exclusively by the customer to allow total in-house control.

### FACTORY LEVEL

Total control of keys by the Abloy Oy factory or sales office provides optimum protection. Customer personnel must submit a written authorization to obtain duplicate keys.

### AUTHORIZED LEVEL

Duplicate keys are provided by ABLOY® authorized security centres under contractual agreement. This system is designed to maintain the integrity of the key control program while providing local service and support.

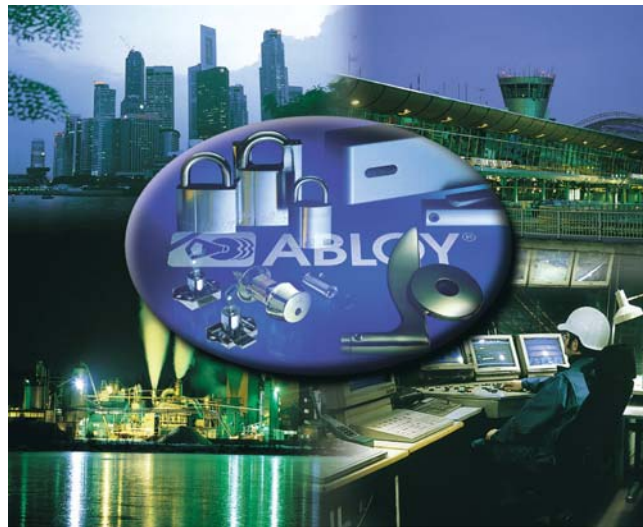


## ABLOY® – the sign for security



The quality and environmental systems used by Abloy Oy guarantee that customers can be certain of **ABLOY®** quality in every field. We received our first Quality Systems Certificate - SFS EN ISO 9001 - in 1989. Just eight years later, Abloy Oy was one of the first companies in Finland to be granted an SFS-EN-ISO 14001 Environmental Systems Certificate.

Our products are designed and manufactured not only to provide high levels of security, but also to be reliable, user-friendly and aesthetically pleasing. **ABLOY®** is your sign for security.



**ABLOY®** is a registered trademark of Abloy Oy, one of the leading manufacturers of locks, locking systems and architectural hardware and the world's leading developer of products in the field of electromechanical lock technology.

The unique **ABLOY®** detainer disc cylinder mechanism has several advantages over conventional locking mechanisms. Ever since its invention in 1907, it has been a symbol of high security and superior performance.

Our range consists of electromechanical locks, cam locks, padlocks, office furniture locks, rim locks, lock cases, cylinders for different types of mortice locks, door closers, door automatics and architectural hardware. **ABLOY®** locking solutions for every application are available from our world-wide network of distributors.

Customer-oriented development, combined with our long experience and extensive security expertise, mean that **ABLOY®** security solutions employ the very latest technology to meet your needs.



[www.abloy.com](http://www.abloy.com)

Abloy Oy  
Wahlforssinkatu 20  
P.O. Box 108  
FI-80101 JOENSUU  
FINLAND  
Tel. +358 20 599 2501  
Fax +358 20 599 2209

