

DOOR OPERATORS/CLOSERS

Making light work of door automation. High specification door operators and closers providing reliable, long lasting hands free access and DDA compliance.

VERSION 1.0



Abloy | UK



Introduction. ABLOY® automatic swing door operators and door closers provide an efficient, reliable, sophisticated and safe means of opening a hinged door automatically.



Tried and tested over many years, ABLOY® automatic swing door operators are used extensively within both public buildings and private housing for the disabled and elderly.

Because of their versatility and functionality they are well suited to doors that require hands-free opening. Examples would be an operating theatre or a clean room, both requiring the door to be opened without touching contaminated areas on or around the door.



The Disability Discrimination Act (1995) has implications on every aspect of life, not least the door environment. Our door automation systems address the DDA's requirements, providing safe compliance and robust usage.

Door closers are used to control the opening and closing of a door. This has particular benefits when used in areas visited by the disabled, the elderly or children.

We offer a selection of ABLOY® door closers to suit most door types and situations.

Abloy | UK door automation: an open and shut case

▼
INTERIOR OR
EXTERIOR DOORS

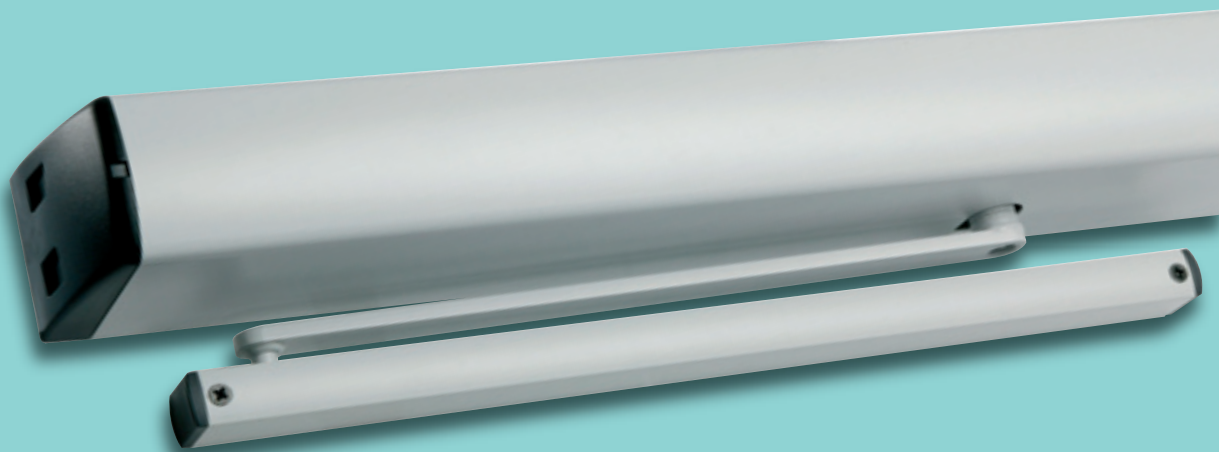
▼
MAIN ENTRANCE
DOORS TO
COMMERCIAL
BUILDINGS

▼
PUBLIC BUILDINGS

▼
ALLOWS DOORS
TO MEET DDA
REQUIREMENTS

▼
PROVIDES HANDS-
FREE ACCESS WHEN
USED WITH ELECTRIC
LOCKS AND
SENSING DEVICES

▼
RETAINS DOOR
SECURITY



DA460/L

For heavy duty, high traffic interior/exterior doors. Pull function

DA460/S

As DA460/L but push function

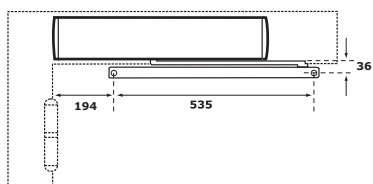
Features

- Motor-driven opening and closing
- Protected against mechanical overload
- Integral control of electric locks (12V and 24V DC outputs)
- Low resistance when door is opened manually
- Compact design
- Basic functions and set up of door quickly and easily
- Adjustment of hold-open time, opening speed, force and angle
- Door hold closed force and hold-open function
- 'Push and go' function
- 'Free swing' function, door can be left in the open position when required
- Integral safety feature
- Operates with pressure pads, push button switches, card readers and radar (infra-red and microwave)
- For surface or concealed applications
- Supplied complete with arm and mounting plate

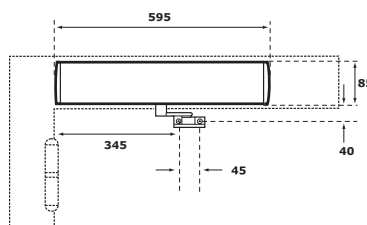
NB. Products are supplied on condition they are installed by trained ABLOY® door operator installers



DA460/L
Pull function (sliding arm)



DA460/S
Push function (standard arm)



ARMS	MAX DOOR WIDTHS AND WEIGHTS
Standard arm	1,000mm - 120kg 1,150mm - 105kg 1,300mm - 90kg
Sliding arm	1,000mm - 80kg 1,150mm - 70kg 1,300mm - 60kg

SPECIFICATIONS	
Supply voltage	90-264V AC, 47-63Hz
Power consumption	70W
Weight	6.5kg
Operating temperature (°C)	-15 to +50
Ingress protection	IP20
Output voltage	12V DC (1.0A), 24V DC (0.5A)
Hold-open time	0-60 secs
Opening angle	100° (90° with pull arm mounted on closing side or 110° with pull arm on opening side)

ACCESSORIES AND OPTIONS	
Standard arm (push type) max door frame depth 150mm	DA147
Standard extended arm (push type) max door frame depth 150-250mm	DA148
Sliding arm (pull type)	DA149
Handing	Non handed
Mounting plate	DA103
Extension pieces (raise operator)	
10mm	DA150/01
20mm	DA150/02
60mm	DA150/06
Finish	Silver

DA461/L

For heavy duty, high traffic exterior / interior fire doors.
Pull function

DA461/S

As DA461/L but push function

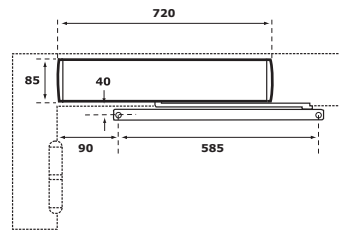
Features

- Motor-driven opening, closed hydraulically
- Protected against mechanical overload
- Integrated control of electric locks (24V DC output)
- Fire detector input
- Quick and easy installation and commissioning
- Vandal-resistant clutch mechanism
- Quiet operation
- 'Push and go' function
- Operates with pressure pads, push button switches, card readers and radar (infra-red and microwave)
- Low resistance when door is opened manually
- Lock control relay with NO/NC contacts
- Secondary DC inlet power back up
- Supplied complete with arm and mounting plate

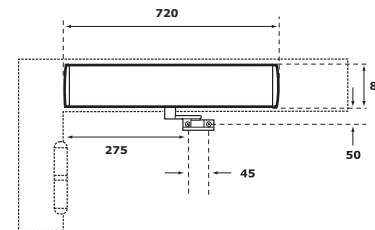
NB. Products are supplied on condition they are installed by trained ABLOY® door operator installers



DA461/L
Pull function (sliding arm)



DA461/S
Push function (standard arm)



ARMS	MAX DOOR WIDTHS AND WEIGHTS
Standard arm	1,000mm - 125kg
	1,150mm - 100kg
	1,300mm - 90kg
Sliding arm	900mm - 100kg
	1,000mm - 90kg
	1,100mm - 80kg

SPECIFICATIONS	
Supply voltage	100/115/230V AC ±10%, 50 to 60Hz
Power consumption	100W
Weight	9.1kg
Operating temperature (°C)	15 to 50
Ingress protection	IP20
Output voltage	24V DC (0.5A)
Hold-open time	0-60 secs
Opening angle (max)	100° (90° with pull arm mounted on closing side or 110° with pull arm on opening side)

ACCESSORIES AND OPTIONS	
Standard arm (push type)	
Max door frame depth 150mm	DA147
Standard arm (push type)	
Max door frame depth 150-250mm	DA148
Sliding arm (pull type)	DA149
Handing	Handed push/pull
Mounting plate	DA104
Finish	Silver
Extension pieces	10mm DA150/01 20mm DA150/02

Series 810

High Performance
Infra-red Safety Sensor
System

**Versions****810/71**

Master (340mm)

810/72

Master + Slave
(700mm overall)

810/73

Master + 2 Slaves
(900mm overall)

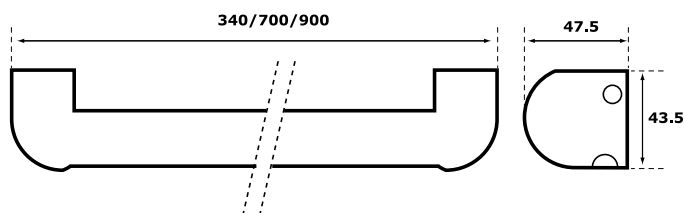
Features

- Strongly recommended when installing operators
- Fast detection speed stops door fast
- Insensitive to colour variations
- Insensitive to reflectivity of ground
- Precise infra-red technology
- Door stops or re-opens if sensor activated
- Immune to electrical and radio frequency

- Vandal-proof – if blinded, door goes to safety mode
- Range adjustable by rotating cam
- Easy installation and adjustment
- Not IP rated

Finish

SAA with black lens



TECHNICAL DATA	
Supply voltage	Relay output 12-24V AC/DC ($\pm 10\%$)
Relay output	Maximum constant rating – 1A under 30V (resistive)
Current consumption	On 60mA max/off 30mA max
Standard output	Relay with switch over contact (voltage free)
Detection range	0.7m to 2.5m (adjustable)
Detection mode	Presence (or motion)
Response time	< 50ms
Max voltage	30V DC
Max current	100mA
Output hold time	0.1 secs – 4.5 secs (adjustable)

Eagle 1

Uni-directional sensor

Eagle 2

Bi-directional sensor

**Features**

- Sophisticated design
- Digital technology
- Very wide sensing field
- Compact size
120mm(W) x 80mm(H) x 50mm(D)
- Virtually vandal-proof
- Fully controlled by coded infra-red remote control (supplied separately)

Detection area

Wide field 4m(W) x 2m(D)
Narrow field 2m(W) x 2.5m(D)

Tilt angle

From 0° to 90° vertical
From -30° to 30° lateral

Remote control adjustment

- Sensitivity
- Hold time
- Detection direction
- Height
- Filter

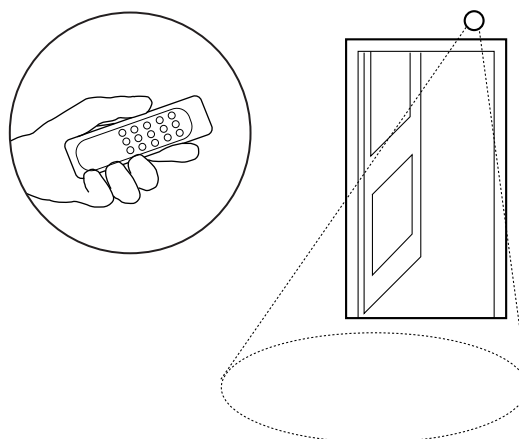
Finish

Anthracite grey

Accessories

ERA – rain protector

Eagle remote control – for easy adjustment of advanced features



TECHNICAL DATA	
Supply voltage	12V to 24V AC \pm 10% 12V to 24V DC +30%/-10%
Mains frequency	50-60Hz
Power consumption	<2W
Max switching power	30W (DC)/60VA (AC)
Temperature (°C)	-20 to +55
EMC compatibility	Yes
Mounting height	4m max
Cable length	2.5m)

TS4

RQE touch switch.

**Features**

- Proximity or touch
- No moving parts
- Built-in timer (adjustable) 0-45 secs
- Isolated relay contacts
- Robust housing with single gang back box

Technical Specification

- 12V DC
- Current consumption
- Non-active 40mA
 - Active 50mA
- Range adjustable up to 20mm

Finish

White ABS Cover

DA033

Elbow contact

**Features**

- For internal use only
- Simple to install

Dimensions

180mm (H)
x 90mm (W)
x 22mm (D) (mm)

Finish

ABS white

PBS.H

Square push plate

**PBJ.H**

Jamb push plate

**Features**

- Operates with a simple push
- Can be fully recessed
- Mechanical operation
- Waterproof seal
- For internal or external use
- Can be used with remote control when fitted with receiver

Temperature range

20°C to +55°C

When used with EAS RF receiver and transmitter**Frequency**

433.92MHz

Detection distance

25m (max)

Supply voltage

12V to 24V AC $\pm 15\%$
24V to 30V DC $\pm 10\%$

Power consumption

max 38mA at 24V DC

Adjustable hold open time

0.5 to 10 secs

Max number of transmitters

10

Finish

Steel face plate, housing stainless steel, black box

FP200

Roller blind system

**Features**

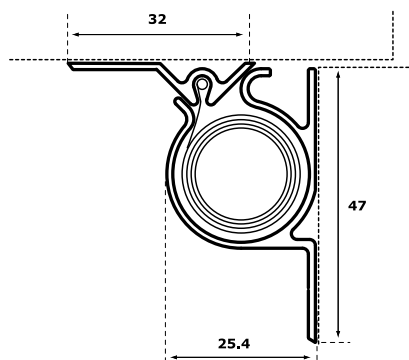
- Protects against trapped fingers on inside of door
- For use especially with automatic swing door operators
- Fits any hinged door
- Tested to 200,000 operations

Standard length

1,925mm (other lengths to special order)

Finish

SAA (dark bronze and white to special order), black blind

**PSU-4**

PSU-4 dual voltage power supply

**Features**

- Linear fan assisted
- Full short circuit protection
- Output rated @ 12V DC 8A – 24V DC 4A
- EMC compliant

Technical Specification

- Supply voltage: 230V AC, 50Hz
- Auto reset thermal shutdown @ 80°C
- Battery protection fuse @ 10A
- Mains fuse rated @ 2.0A

Enclosure

- 283mm (H) x 224mm (W) x 92mm (D)

DA136

Timer module

**Features**

- For additional door control, can be used on rebated and four door combinations
- Dimensions 36mm x 16mm x 63mm
- Can be fitted inside the door operator or up to 30m away from the unit

Output relay

- Delay time 0-30 secs (non-linear)
- Hold open time 0-60 secs (non-linear)
- Operating temperature -15°C to +50°C